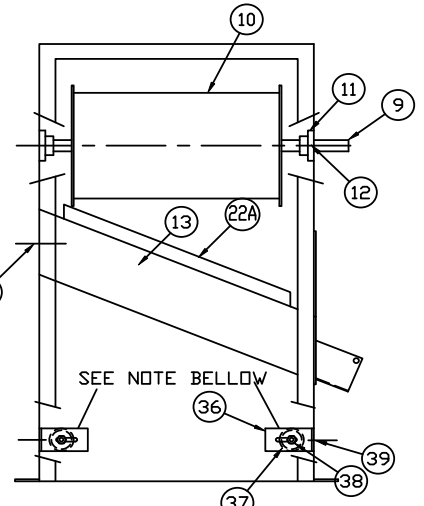
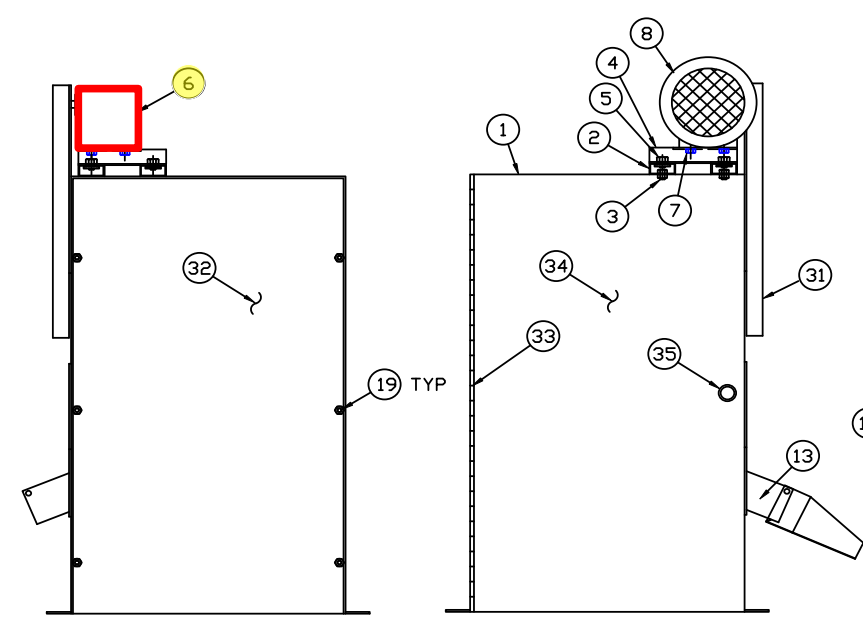


THERE IS ONE TENSIONER ASSEMBLY FOR TS-106 & TS-112, AND TWO FOR TS-118 & TS-124.



NOTE: BELT GUIDE ASSY. ONLY ON TS-118 & TS-124.

MATERIAL LIST

NO.	PART NO.	DESCRIPTION	MAT'L.	QTY.
1		MAIN FRAME	304 S.S.	1
2		DRIVE MOUNTING RAIL	ALUMINUM	2
3		RAIL MOUNTING BOLT	S.S.	4 SETS
4		DRIVE MOUNTING FRAME	S.S.	1
5		BRACKET MOUNTING HARDWARE	S.S.	4 SETS
6		GEAR REDUCER		1
7		REDUCER MOUNTING BOLT	S.S.	4 SETS
8		MOTOR		1
9		PULLEY SHAFT	304 S.S.	1
10		PULLEY	304 S.S.	1
11		BEARING		2
12		MOUNTING BOLT	S.S.	4 SETS
13		TROUGH (OPEN)	304 S.S.	1
14		TROUGH MOUNTING BOLT	S.S.	4 SETS
15		WIPER BRACKET	304 S.S.	1
16		WIPER BLADE	PVK	1
17		WIPER BACKING STRIP	304 S.S.	1
18		WIPER MOUNTING BOLT	S.S.	4 SETS
19		WIPER BRACKET /COVER MOUNTING BOLT	S.S.	23 SETS
20		COLLECTION BELT	PVK	1
21		DOCTOR BLADE HOLDER	304 S.S.	2
22A		DOCTOR BLADE EDGE SET (FRONT 3" WIDE)	304 S.S.	1
22B		DOCTOR BLADE EDGE SET (BACK 2" WIDE)	304 S.S.	1
23		DOCTOR BLADE HINGE	304 S.S.	2
24		BLADE ADJUSTING BOLT	S.S.	2 SETS
25		TENSIONER ASSEMBLY		2
26		GUARD MOUNTING PLATE	304 S.S.	1
27		DRIVE SPROCKET		1
28		DRIVEN SPROCKET		1
29		DRIVE CHAIN	CHROME PL.	1 LENGTH
30		MOUNTING BOLT - PLATE AND GUARD	S.S.	11 SETS
31		CHAIN GUARD	304 S.S.	1
32		COVER PLATE	304 S.S.	1
33		DOOR HINGE	S.S.	1
34		ACCESS DOOR	304 S.S.	1
35		DOOR LATCH		1
36		BELT GUIDE BRACKET	304 S.S.	2
37		BELT GUIDE ROLLER		2
38		BELT GUIDE SHAFT	S.S.	2
39		GUIDE MOUNTING BOLT	S.S.	4 SETS
40		TROUGH ACCESS DOOR	S.S.	1
41		WING NUT	NYLON	2

**BEFORE ORDERING SPARE PARTS:**

1. LOCATE ITEM ON ASSEMBLY DRAWING, AND MATCH UP WITH DESCRIPTION ON BILL OF MATERIALS.
2. GIVE COMPLETE DESCRIPTION OF THE PART, I.E. ITEM NUMBER, DESCRIPTION AND QUANTITY REQUIRED. IF A REPLACEMENT PART IS NEEDED FOR THE GEAR REDUCER, ALSO INCLUDE THE REDUCER MODEL NUMBER, THE PART AND ITEM NUMBER AND PART DESCRIPTION OF THE GEAR BOX MANUFACTURER.

**NOTE: EVERY SPARE PARTS ORDER MUST INCLUDE:**

- (A) SKIM-KLEEN MODEL No.
- (B) JOB No.
- (C) YOUR P.O. No.
- (D) SHIPPING AND BILLING INSTRUCTIONS.

**MINIMUM ORDER AMOUNTS APPLY.**

<b>TENCO HYDRO</b>		Industrial/Municipal Wastewater Equipment	
THIS PRINT IS THE PROPERTY OF TENCO HYDRO INC. AND REPRESENTS ITS TECHNOLOGY. IT SHALL NOT BE USED, LOANED, COPIED, OR REPRODUCED IN ANY MANNER WITHOUT WRITTEN AUTHORIZATION. IT MUST BE RETURNED UPON NOTICE.	DRAWN	JAM	TITLE
	DATE		<b>SKIM-KLEEN ASSEMBLY</b>
	SCALE	NONE	
	MASTER		DRAWING NO.
			REV. 1