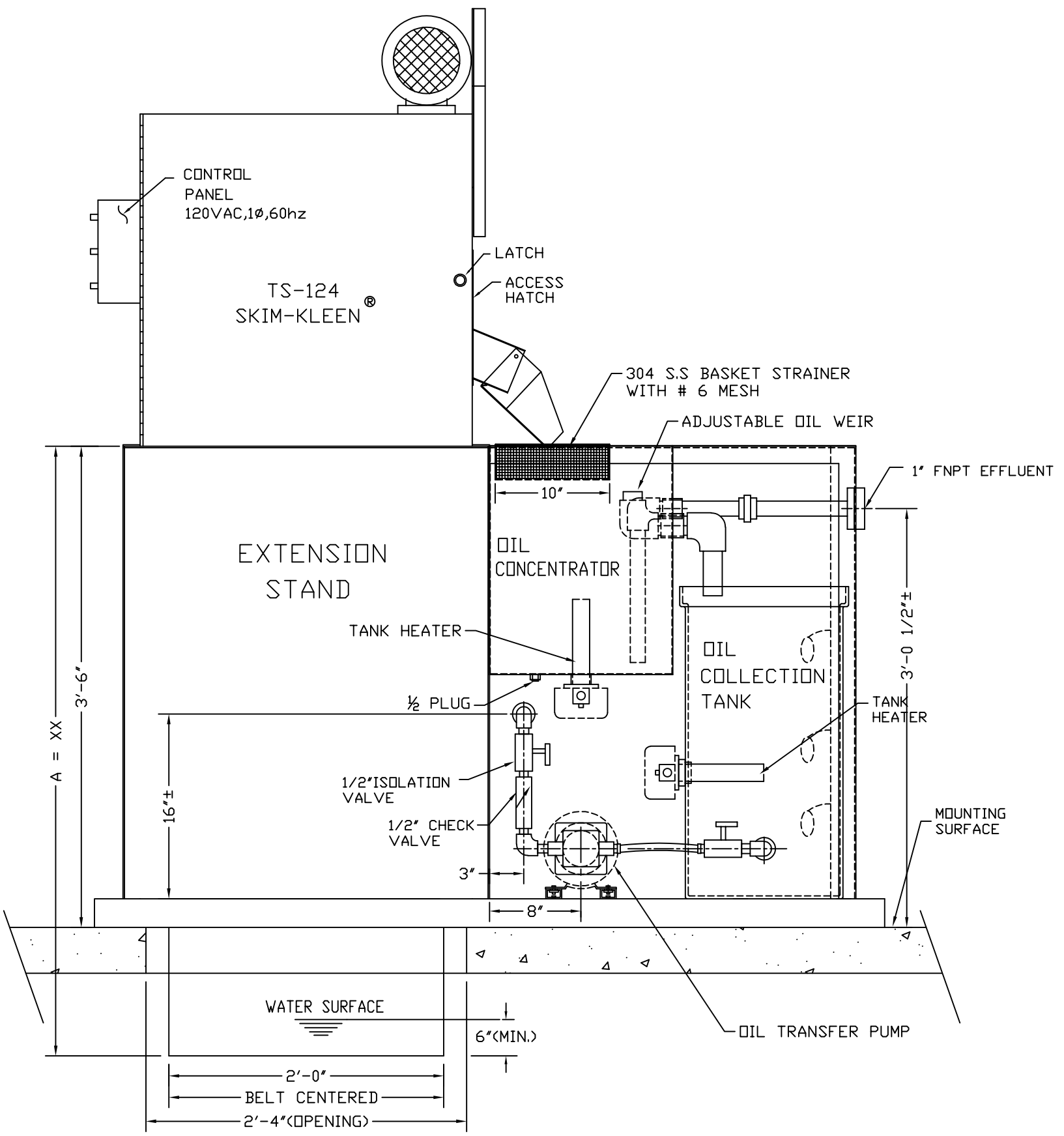
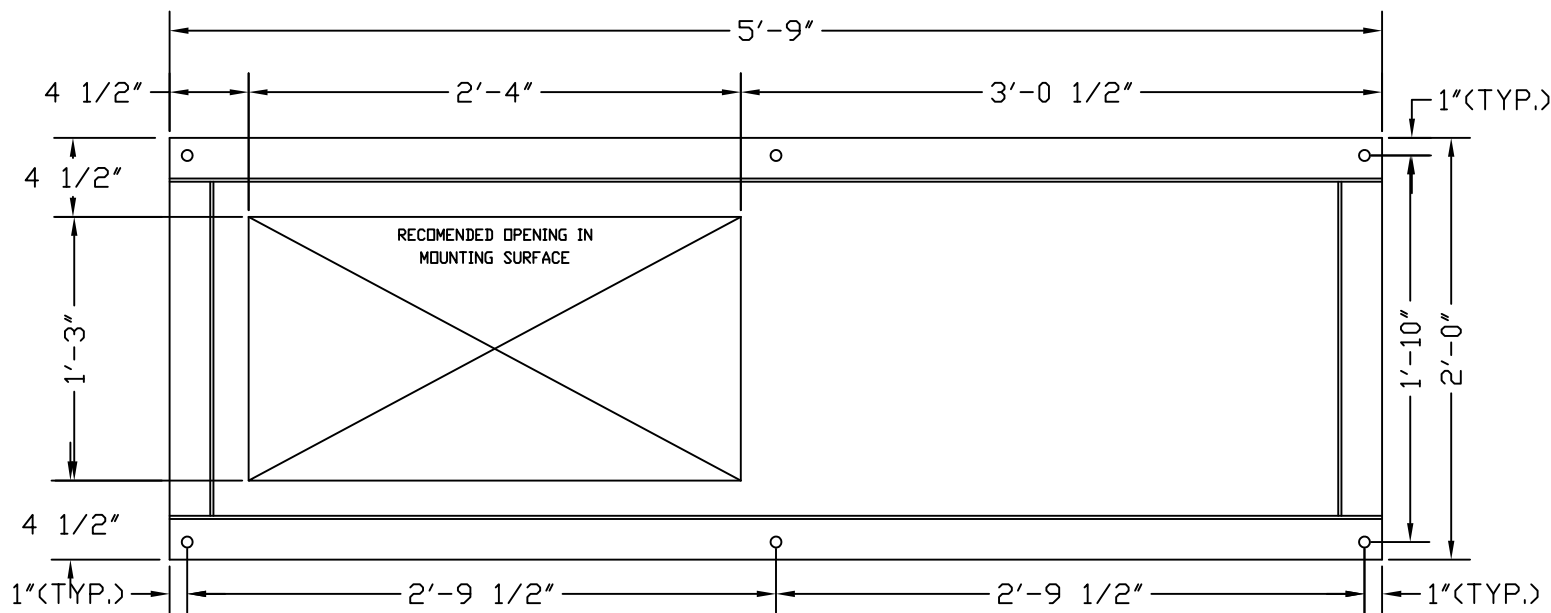


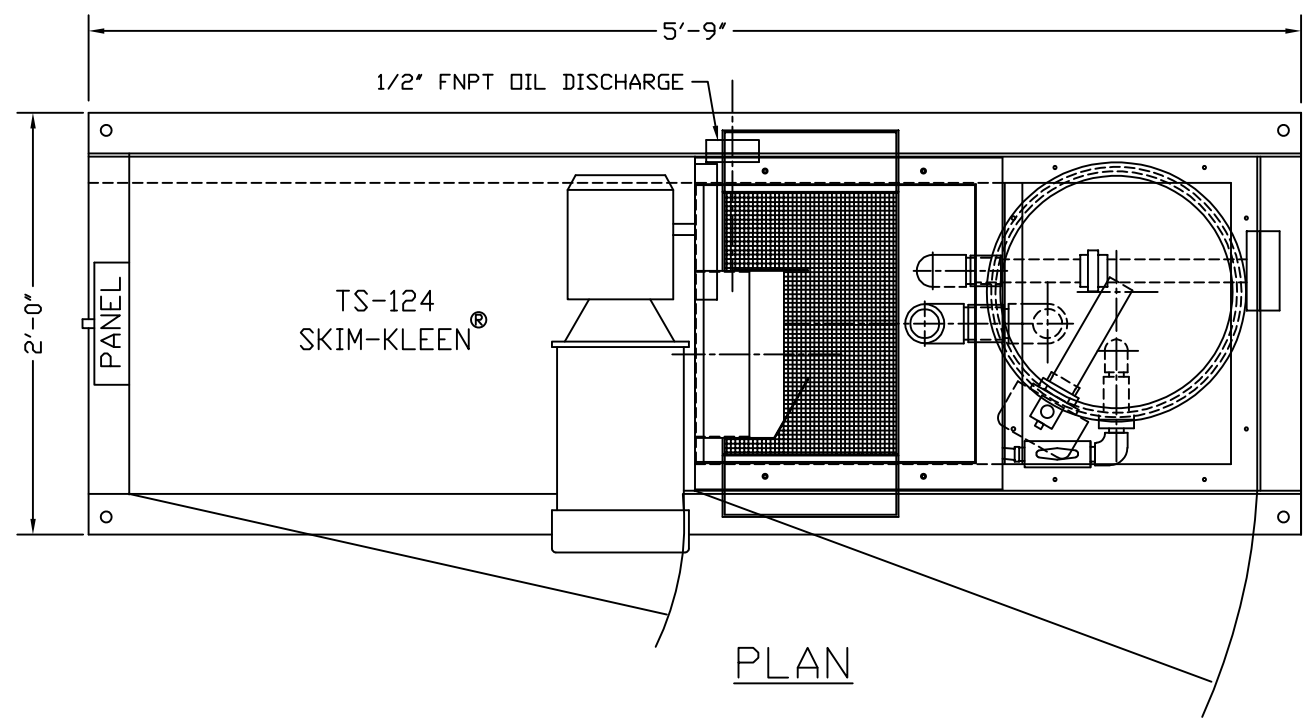
TS-124 MOTOR SPECS.: 1/4 HP, 120 V AC, 1 ϕ , 60 Hz, TEFC.
PUMP MOTOR SPECS.: 1/2 HP, 120 V AC, 1 ϕ , 60 Hz, ODP.



ELEVATION



BASE PLAN



PLAN

TENCO HYDRO, INC. *Industrial/Municipal Wastewater Equipment*
 4620 Forest Avenue, Brookfield, Illinois 60513/Telephone: (708) 387-0700

THIS PRINT IS THE PROPERTY OF TENCO HYDRO INC. AND REPRESENTS ITS TECHNOLOGY. IT CANNOT BE USED, LOANED, COPIED, OR REPRODUCED IN ANY MANNER WITHOUT WRITTEN AUTHORIZATION. IT MUST BE RETURNED UPON NOTICE.

DRAWN J. T. M
 CHK'D
 DATE 7-29-2009
 SCALE NONE
 JOB NO. 9404

TITLE TS-124 WITH TRANSFER PACKAGE AND OIL CONCENTRATOR
 DRAWING NO. B8-216144B
 REV.

MK	DATE	DESCRIPTIONS	BY
REVISIONS			