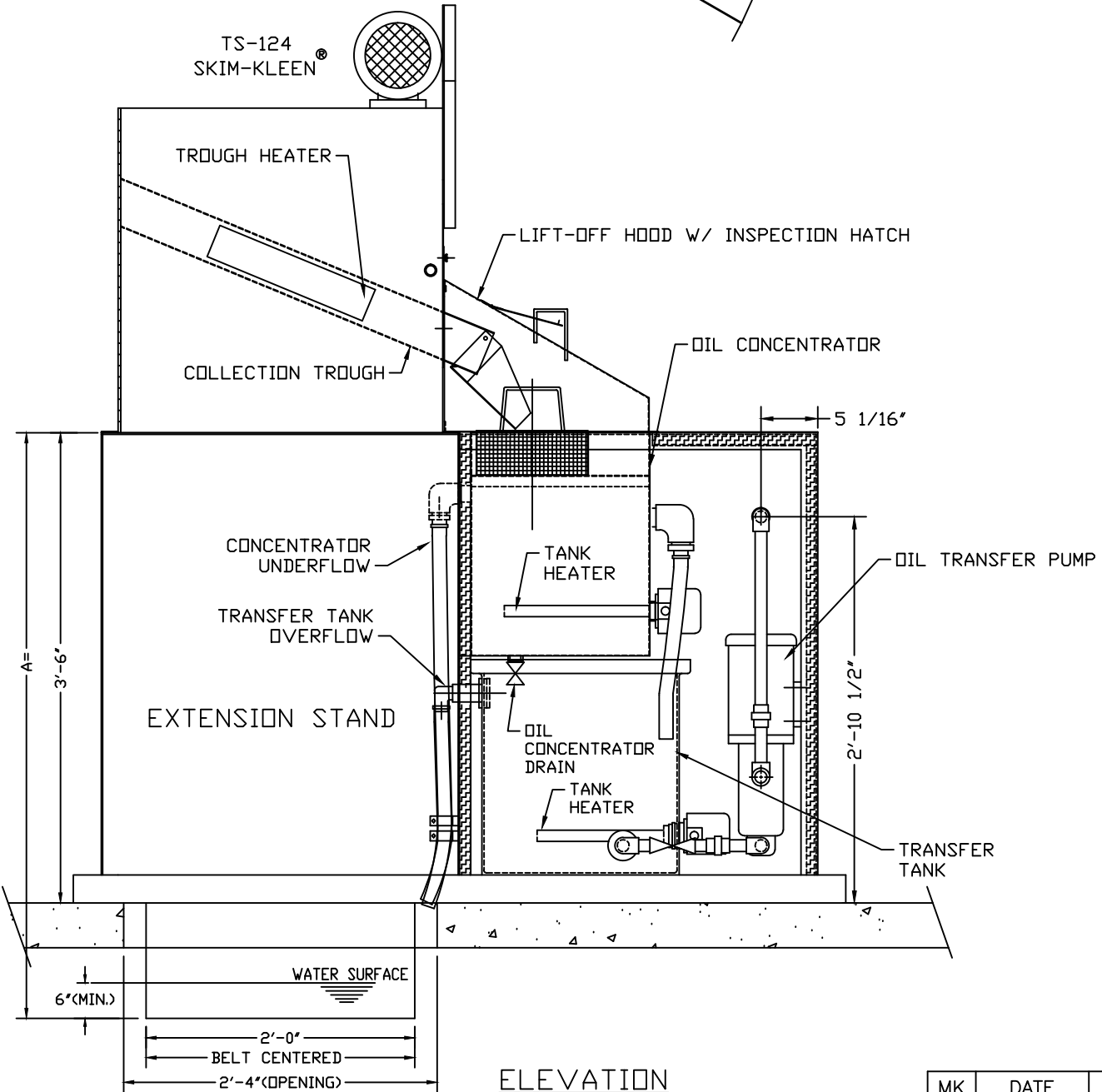
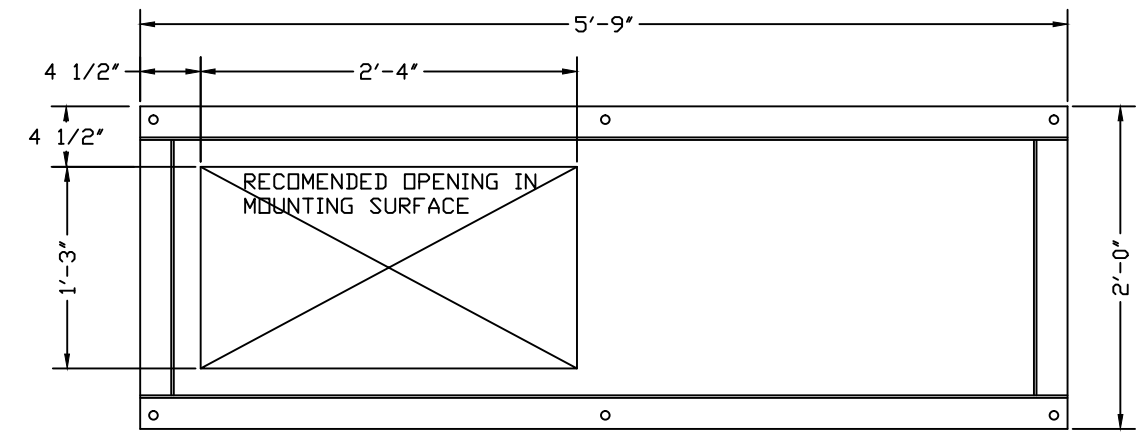


PLAN
(SCREEN AND HOOD NOT SHOWN)



ELEVATION



BASE PLAN

TENCO HYDRO, INC. *Industrial/Municipal Wastewater Equipment*
4620 Forest Avenue, Brookfield, Illinois 60513/Telephone: (708) 387-0700

THIS PRINT IS THE PROPERTY OF TENCO HYDRO INC. AND REPRESENTS ITS TECHNOLOGY. IT CANNOT BE USED, LOANED, COPIED, OR REPRODUCED IN ANY MANNER WITHOUT WRITTEN AUTHORIZATION. IT MUST BE RETURNED UPON NOTICE.

DRAWN J. T. M
CHK'D
DATE 10-24-2013
SCALE NONE
JOB NO. SALES

TITLE
TS-124 SKIM-KLEEN[®]
WITH TRANSFER PACKAGE
DRAWING NO. B8-219679A
REV.

MK	DATE	DESCRIPTIONS	BY
REVISIONS			