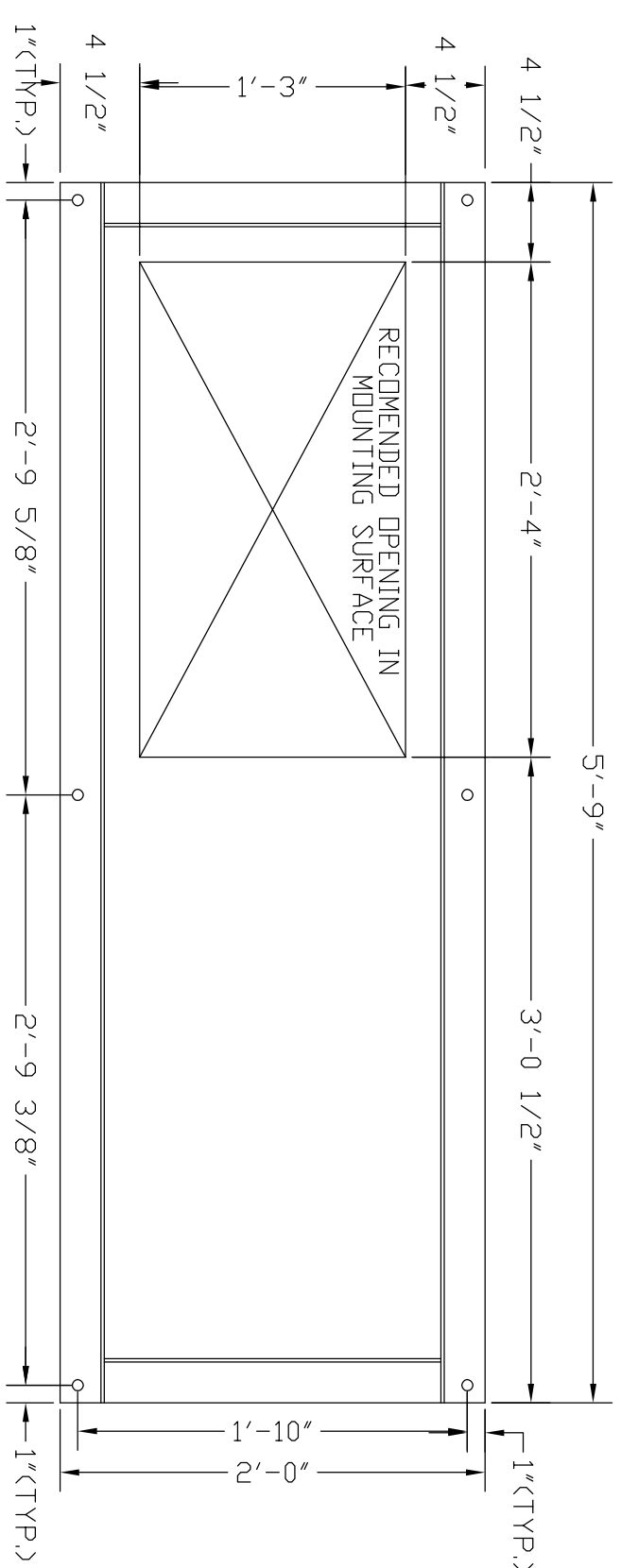
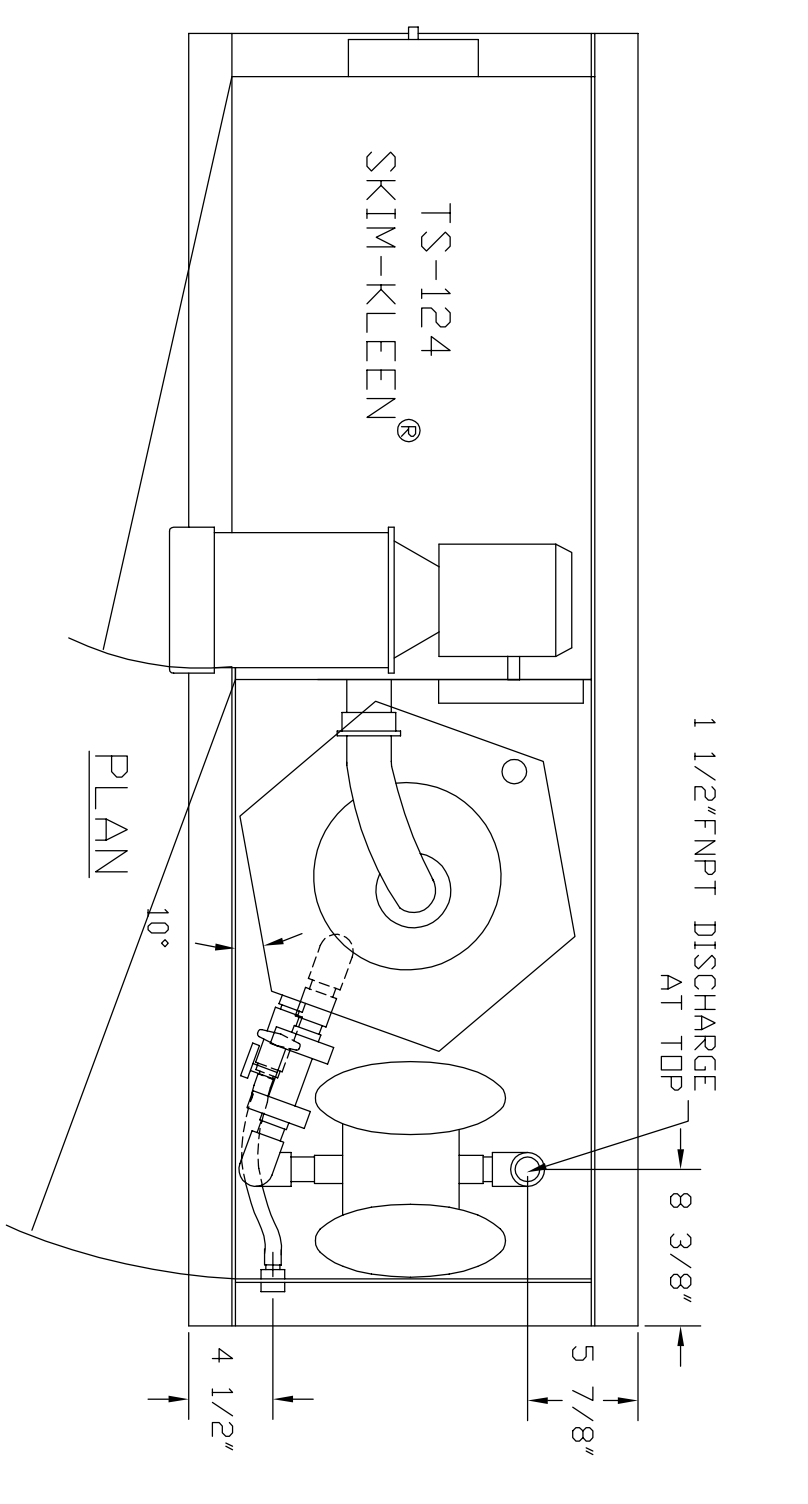



ELEVATION



BASE PLAN



PLAN

 TENCO HYDRO, INC. • Industrial/Municipal Wastewater Equipment 4620 Forest Avenue, Brookfield, Illinois 60513/Telephone: (708) 387-0700		THIS PRINT IS THE PROPERTY OF TENCO HYDRO INC. AND REPRESENTS ITS TECHNOLOGY. IT CANNOT BE USED, LOANED, COPIED, OR REPRODUCED IN ANY MANNER WITHOUT WRITTEN AUTHORIZATION. IT MUST BE RETURNED UPON NOTICE.	
DRAWN	J. T. M	TITLE	TS-124 SKIM-KLEEN [®] OIL TRANSFER PACKAGE
CHK'D		DATE	8-1-2005
SCALE	NONE	JOB NO.	MASTER
REV.		DRAWING NO.	B8-219623

MK	DATE	DESCRIPTIONS	BY
REVISIONS			



ELEVATION