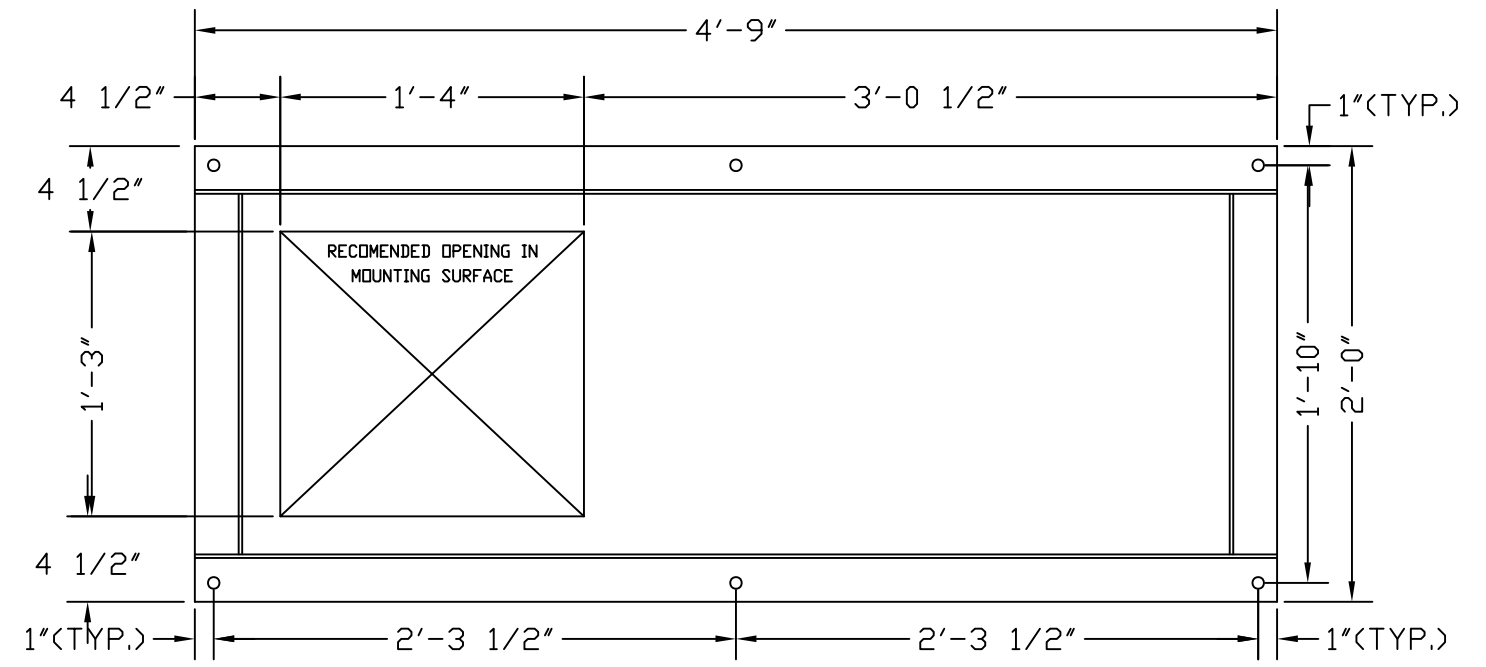
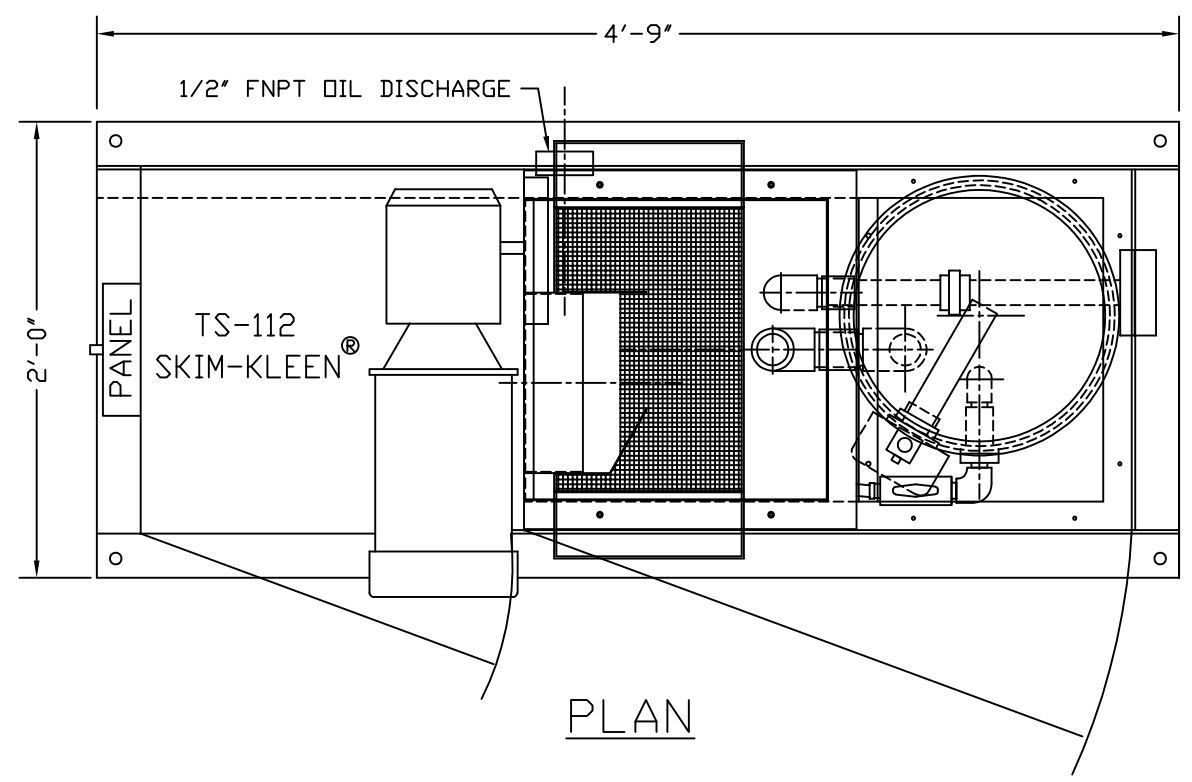


ELEVATION



BASE PLAN



PLAN

TENCO HYDRO, INC. *Industrial/Municipal Wastewater Equipment*
 4620 Forest Avenue, Brookfield, Illinois 60513/Telephone: (708) 387-0700

THIS PRINT IS THE PROPERTY OF TENCO HYDRO INC. AND REPRESENTS ITS TECHNOLOGY. IT CANNOT BE USED, LOANED, COPIED, OR REPRODUCED IN ANY MANNER WITHOUT WRITTEN AUTHORIZATION. IT MUST BE RETURNED UPON NOTICE.	DRAWN	J. T. M	TITLE TS-112 WITH TRANSFER PACKAGE AND OIL CONCENTRATOR		
	CHK'D				
	DATE	6-10-2008			
	SCALE	NONE			
	JOB NO.	8406	DRAWING NO.	B8-216144A	REV.

MK	DATE	DESCRIPTIONS	BY
REVISIONS			