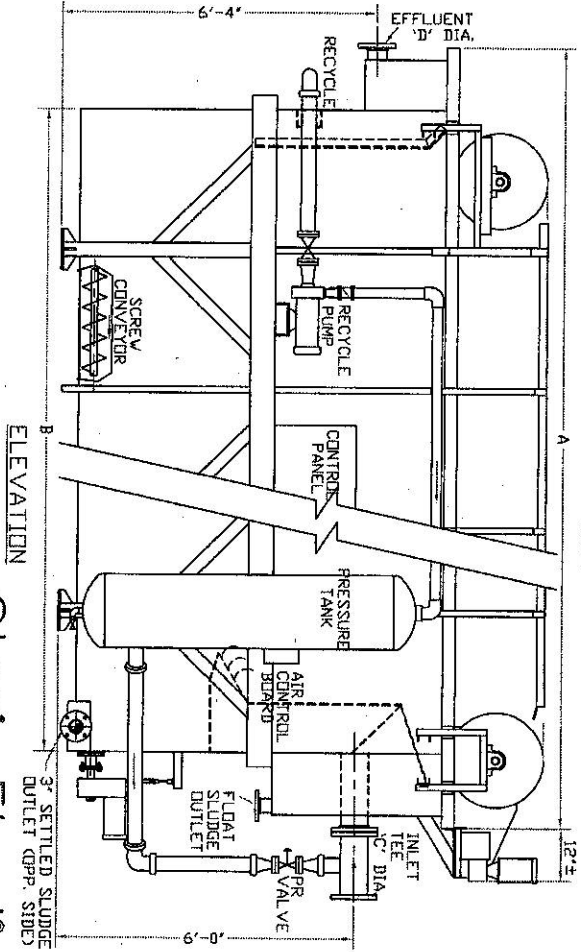
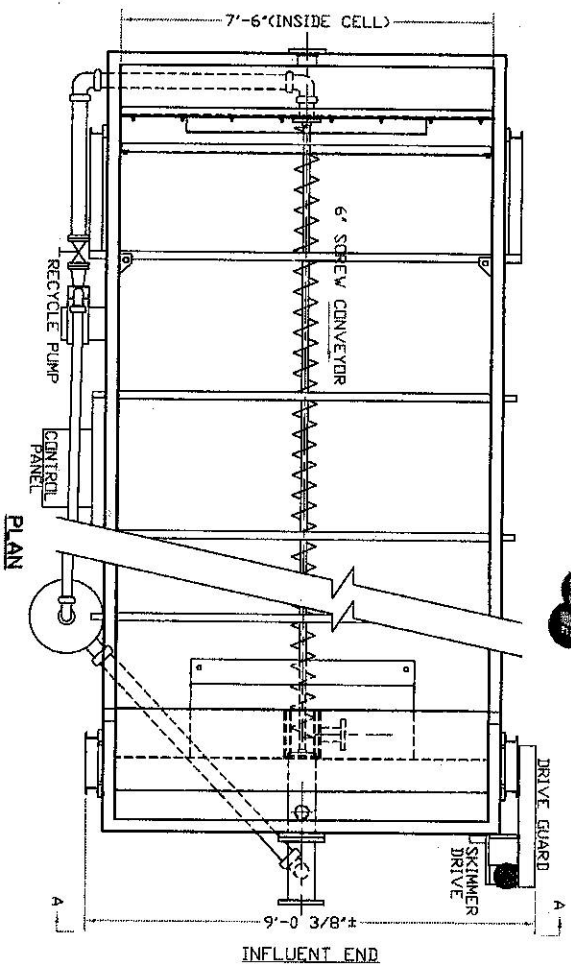
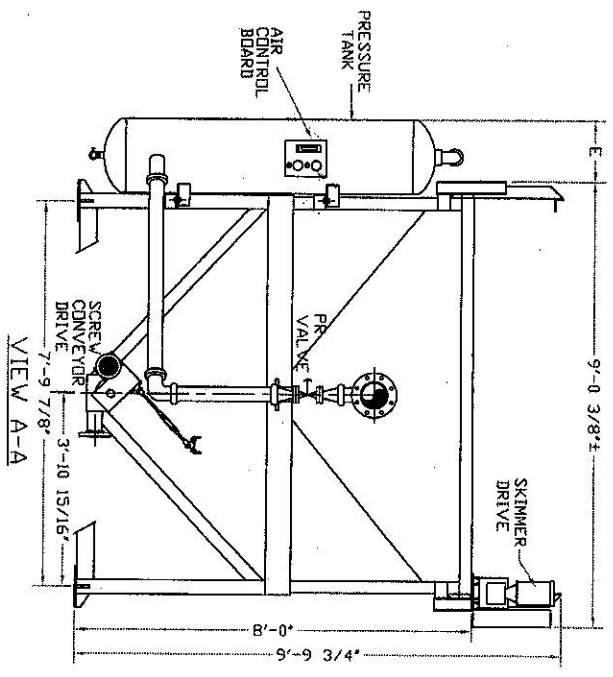


PROJECT NO.	A	B	C	D	E	SKIMMER DRIVE H.P.	SCREW NO. OF LEGS	SHIPPING WT.	OPERATING WT.
075017	19'-9 3/4"	17'-0"	-	-	-	1/2	1/2	9,500	49,500
075020	22'-9 3/4"	20'-0"	-	-	-	1/2	1/2	11,000	60,000
075022	24'-9 3/4"	22'-0"	-	-	-	1/2	1/2	12,000	67,000
075024	26'-9 3/4"	24'-0"	-	-	-	1/2	1/2	13,100	73,000

DESIGN FLOW _____ GPM. _____ TSS
 GPM RECYCLE PRESSURIZATION @ _____ PSI
 PUMP _____ H.P. _____ V/ _____ PH/ _____ Hz



TENCO HYDRO, INC.



TENCO HYDRO, INC.

Clarifloater®
 MODEL RCH-075000