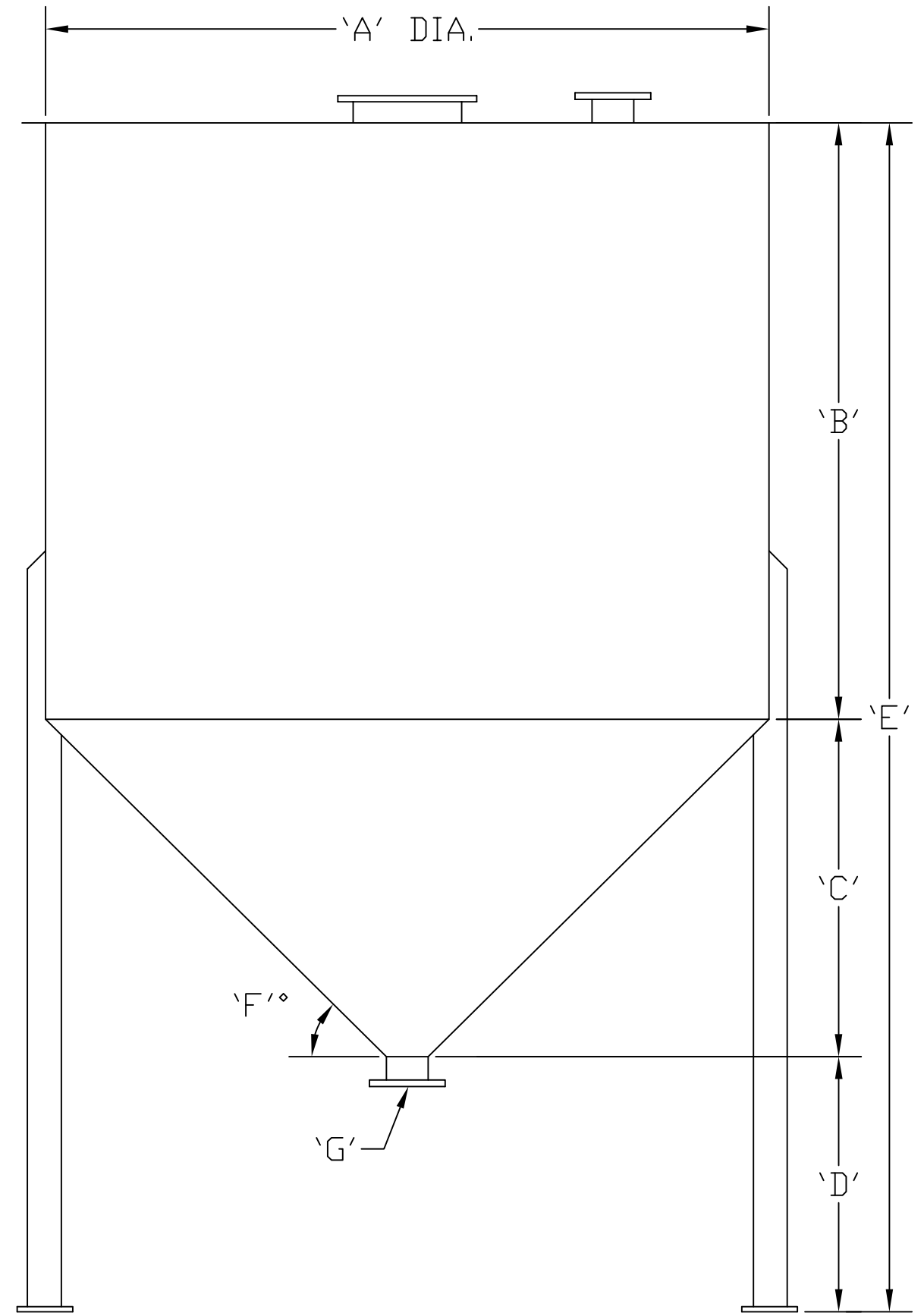


PROJECT NO. _____								
VOLUME	'A' DIA.	'B'	'C'	'D'	'E'	'F'	'G'	MAT'L.
500 GAL.	4'-6"	3'-9"	1'-9"	3'-9"	9'-3"	45°	4"	
750 GAL.	5'-0"	4'-6"	2'-0"	3'-9"	10'-3"	45°	6"	
1000 GAL.	6'-0"	4'-0"	2'-6"	3'-9"	10'-3"	45°	6"	
1500 GAL.	7'-6"	4'-0"	3'-0"	3'-9"	10'-9"	45°	6"	
2000 GAL.	8'-0"	4'-0"	3'-6"	3'-9"	11'-3"	45°	6"	
2500 GAL.	9'-0"	4'-0"	4'-0"	3'-9"	11'-9"	45°	6"	
3000 GAL.	10'-0"	4'-0"	4'-6"	3'-9"	12'-3"	40°	6"	
3500 GAL.	10'-0"	4'-6"	4'-6"	3'-9"	12'-9"	40°	6"	
4000 GAL.	12'-0"	3'-6"	4'-6"	3'-9"	11'-9"	40°	6"	
4500 GAL.	12'-0"	3'-9"	4'-6"	3'-9"	12'-0"	40°	6"	
5000 GAL.	12'-0"	4'-6"	4'-6"	3'-9"	12'-9"	40°	6"	
5500 GAL.	12'-0"	5'-0"	4'-6"	3'-9"	13'-3"	40°	6"	
6000 GAL.	12'-0"	5'-6"	4'-6"	3'-9"	13'-9"	40°	6"	
6500 GAL.	12'-0"	6'-3"	4'-6"	3'-9"	14'-6"	40°	6"	
7000 GAL.	12'-0"	7'-0"	4'-6"	3'-9"	15'-3"	40°	6"	
7500 GAL.	12'-0"	7'-6"	4'-6"	3'-9"	15'-9"	40°	6"	
8000 GAL.	12'-0"	8'-3"	4'-6"	3'-9"	16'-6"	40°	6"	
8500 GAL.	12'-0"	9'-0"	4'-6"	3'-9"	17'-3"	40°	6"	
9000 GAL.	12'-0"	9'-6"	4'-6"	3'-9"	17'-9"	40°	6"	
9500 GAL.	12'-0"	10'-0"	4'-6"	3'-9"	18'-3"	40°	6"	
10000 GAL.	12'-0"	10'-3"	4'-6"	3'-9"	18'-6"	40°	6"	



TENCO HYDRO, INC.

Scum Holding Tank