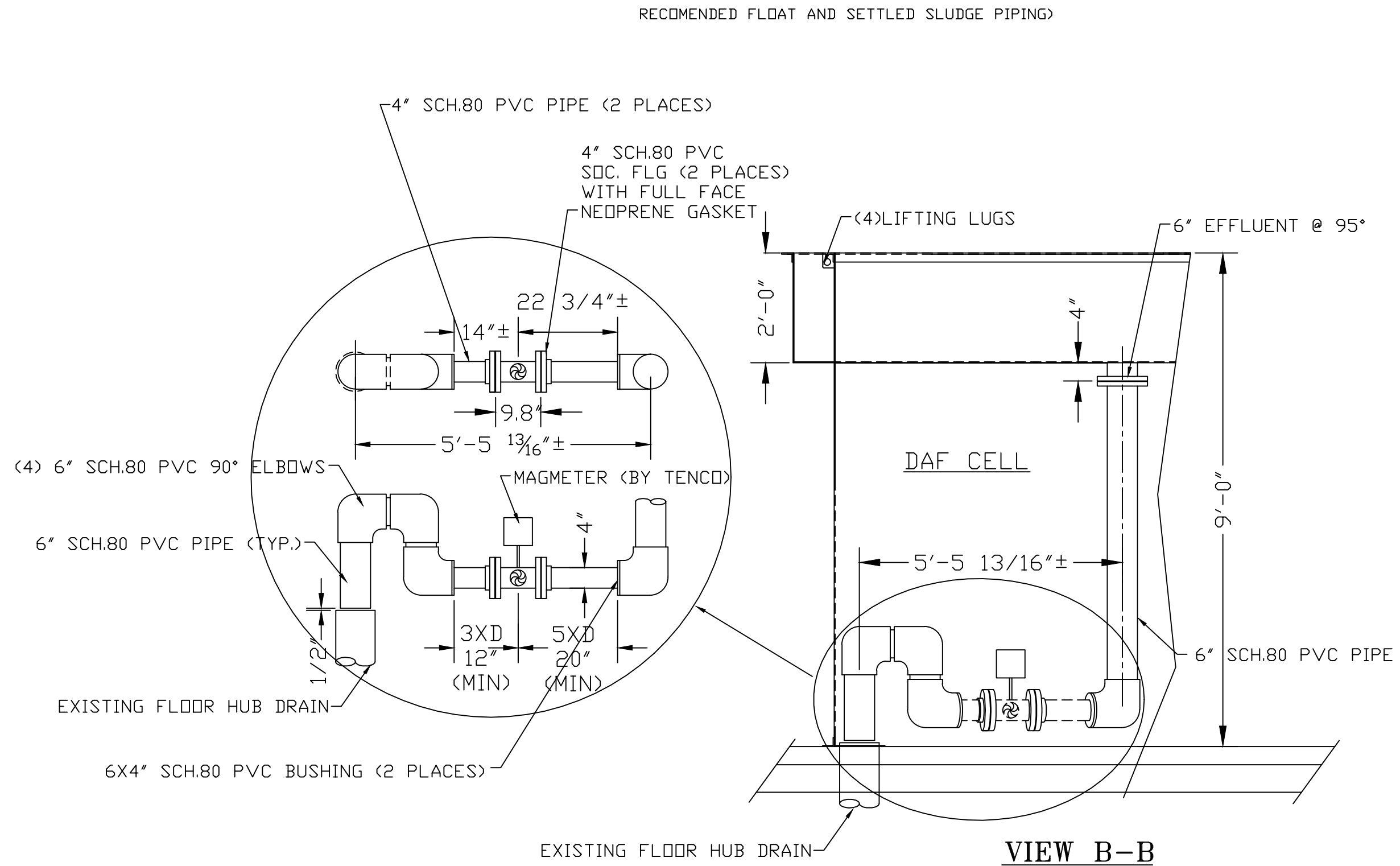
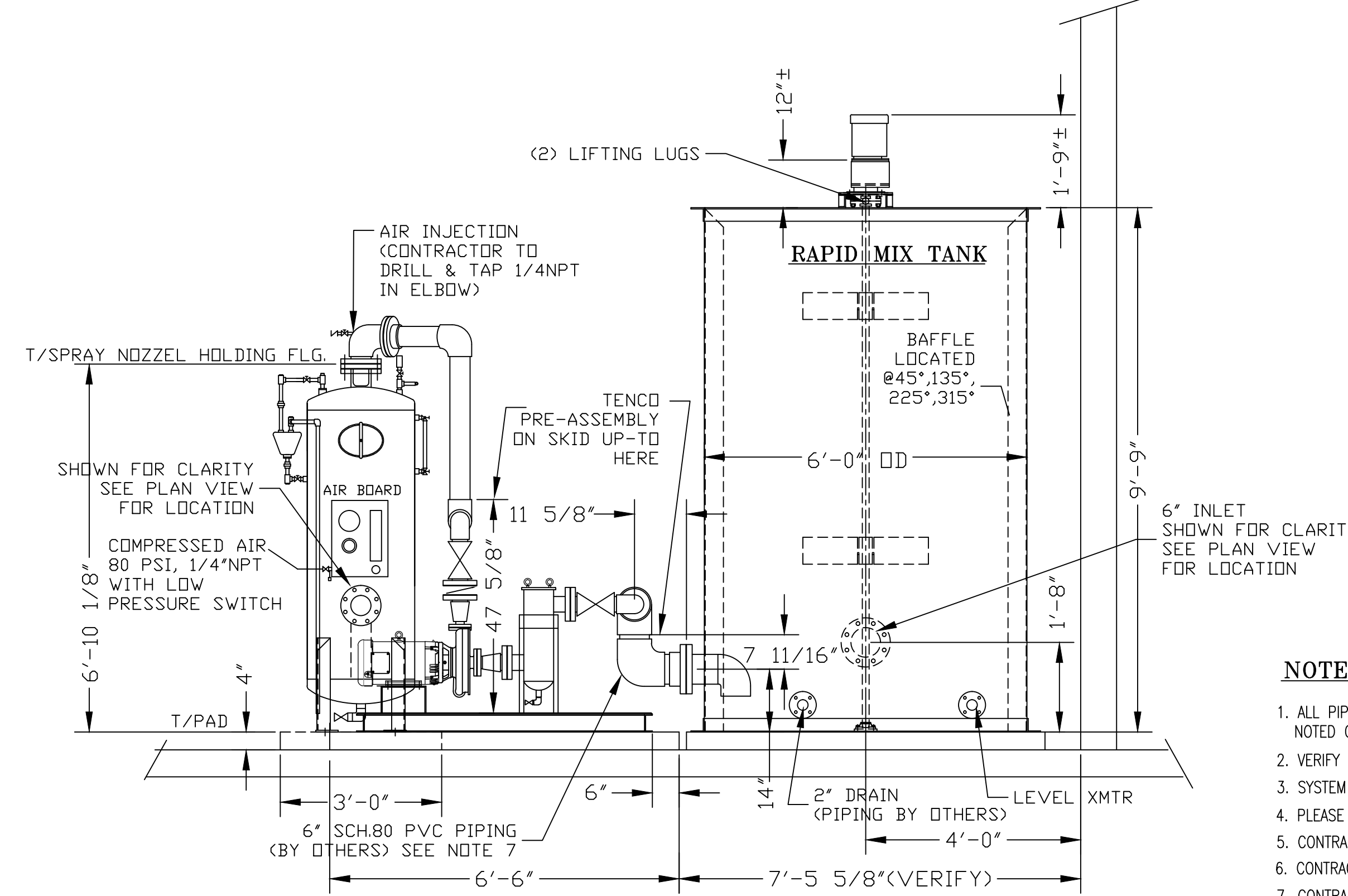


VIEW A-A
 (RECOMMENDED FLOAT AND SETTLED SLUDGE PIPING)



VIEW B-B
 (RECOMMENDED MAGMETER AND EFFLUENT PIPING)

(SEE DWG. D3101028 FOR PLAN VIEW)



VIEW C-C
 (RECOMMENDED FIELD PIPING FROM RAPID MIX TO PRESSURIZATION TANK)

- NOTE:**
1. ALL PIPING, VALVES, FITTINGS FOR FIELD ASSEMBLY ARE TO BE SUPPLIED BY CONTRACTOR, UNLESS NOTED OTHERWISE.
 2. VERIFY CONCRETE PAD LOCATION, SIZE, AND HEIGHT UNDER THE EQUIPMENT, PADS ARE BY CONTRACTOR.
 3. SYSTEM CONTROLS PANEL PROVIDED BY Tenco. MOUNTING AND WIRING BY CONTRACTOR.
 4. PLEASE VERIFY THE LOCATION/ORIENTATION OF EXISTING DRAIN HUBS AND LOCATION OF OVERHEAD DOOR.
 5. CONTRACTOR TO VERIFY BUILDING STRUCTURAL DIMENSIONS FOR ANY OBSTRUCTIONS/INTERFERENCE.
 6. CONTRACTOR TO VERIFY FLOOR ELEVATIONS.
 7. CONTRACTOR CONNECTIONS ON SKID ARE 4" SCH.80 PVC SOCKET TEE ON DISCHARGE AND 6" SCH.80 PVC SOCKET TEE ON SUCTION.
 8. CONTRACTOR CONNECTION ON SLUDGE TANK ARE 4" FNPT ON FLOAT SLUDGE INLET AND 3" FNPT ON SETTLED SLUDGE INLET.
 9. DECANT MANIFOLD PROVIDED WITH 3/4 FIGHT HOSE CONNECTION FOR FLUSHING OR TO DRAIN.

TENCO HYDRO, INC. Industrial/Municipal Wastewater Equipment
 4620 Forest Avenue, Brookfield, Illinois 60513/Telephone: (708) 387-0700

3				
2				
1				
MK	DATE	DESCRIPTIONS	BY	REV.
REVISIONS				

THIS PRINT IS THE PROPERTY OF TENCO HYDRO, INC. AND REPRESENTS ITS TECHNOLOGY. IT CAN NOT BE USED, LOANED, COPIED, OR REPRODUCED IN ANY MANNER WITHOUT WRITTEN AUTHORIZATION. IT MUST BE RETURNED UPON NOTICE.

DATE: 5-20-2016
 SCALE: NONE
 JOB NO.: 5603
 DRAWING NO.: D3-101029

GENERAL ARRANGEMENT SECTIONS