

13'-10 $\frac{1}{2}$ "

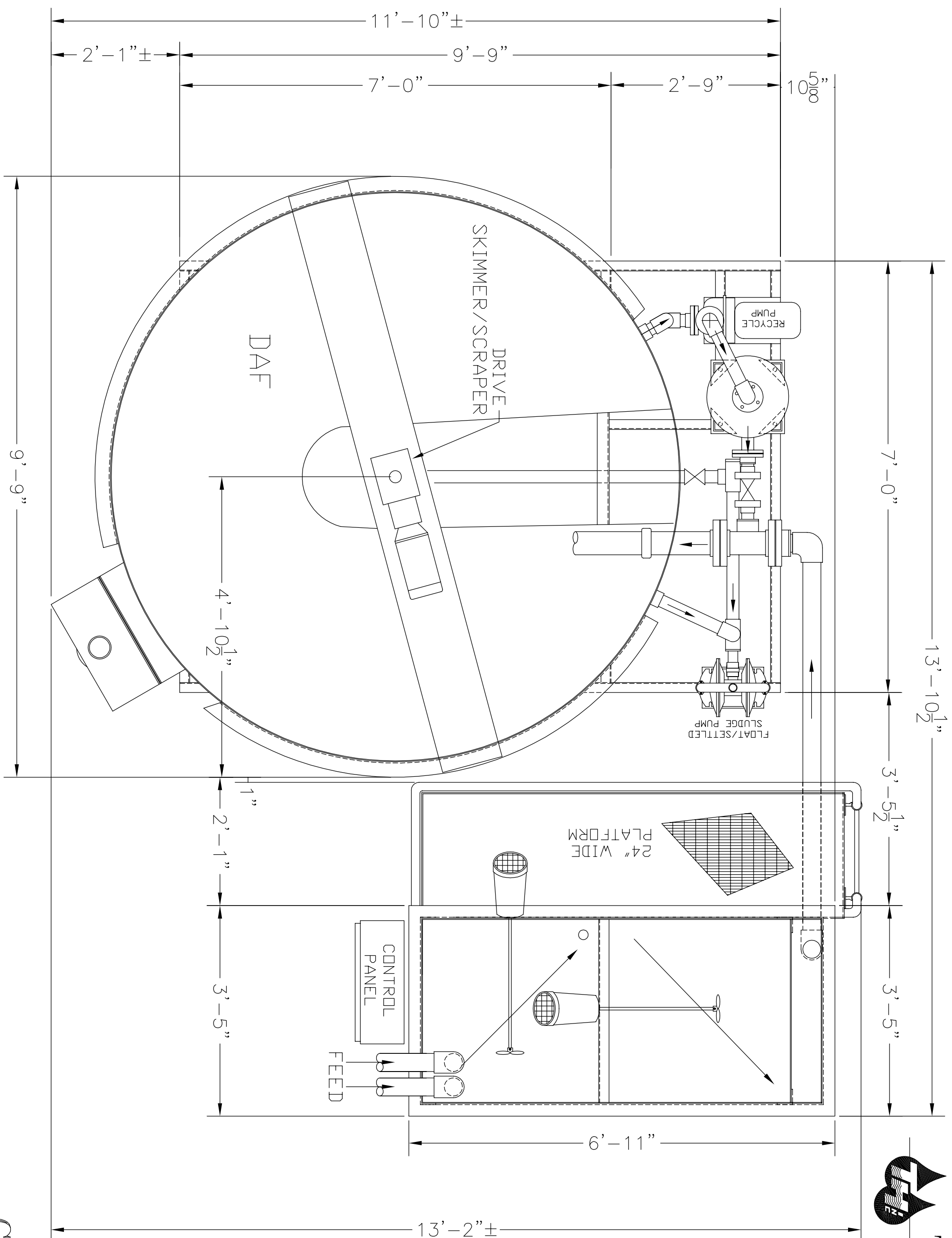
7'-0"

3'-5 $\frac{1}{2}$ "

3'-5"



TENCO HYDRO, INC.



Clari-Float®
MODEL CCF-925