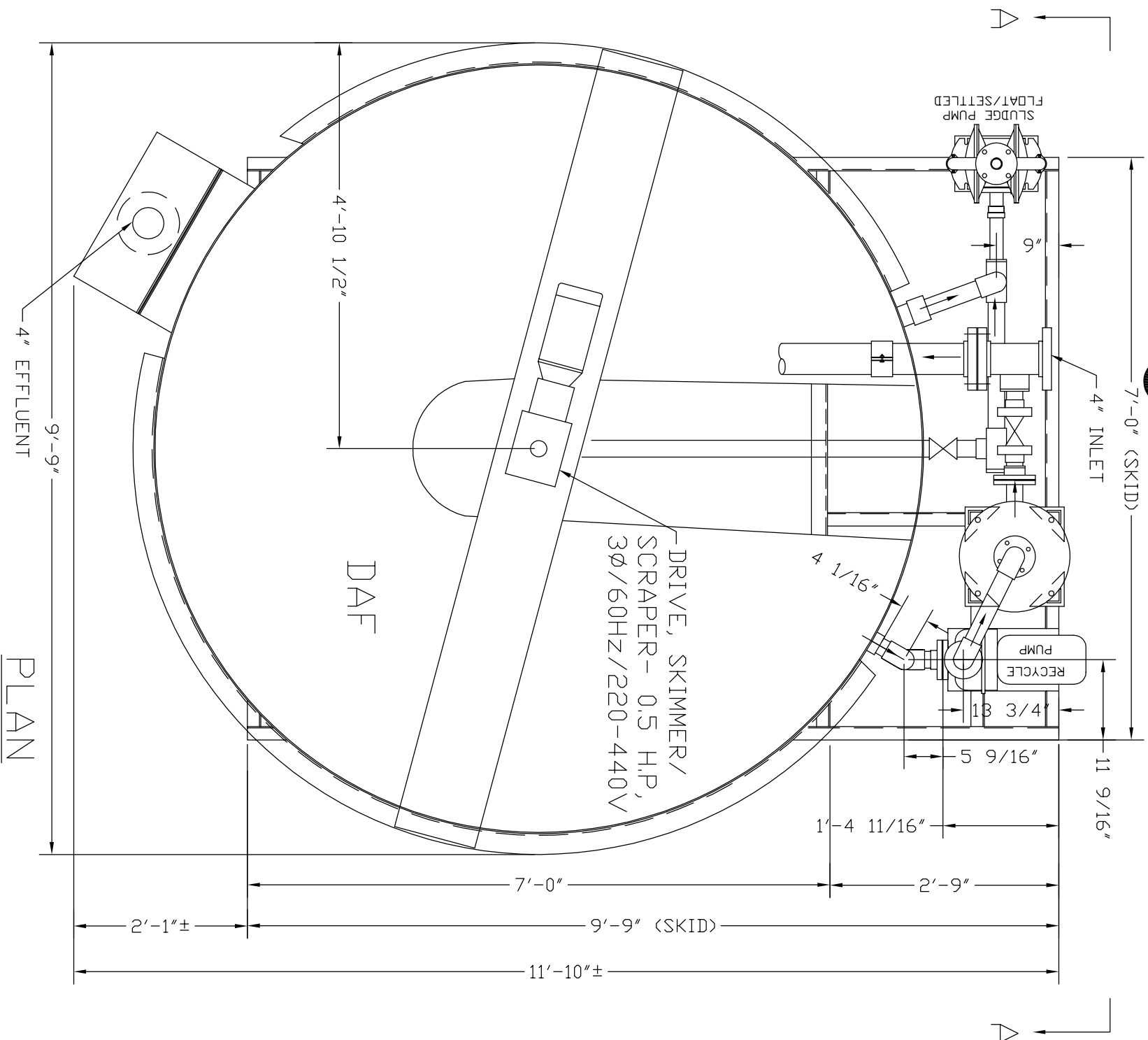


RECYCLE PUMP _____ H.P. MOTOR
 ___Ph, ___ Hz, _____ V AC

CENTER DRIVE _____ H.P. MOTOR
 ___Ph, ___ Hz, _____ V AC



SHIPPING WT. OF SYSTEM : 5,800 LBS APPROX.
 OPERATING WT. OF SYSTEM : 37,700 LBS APPROX.

Clari-Float

CCF0925